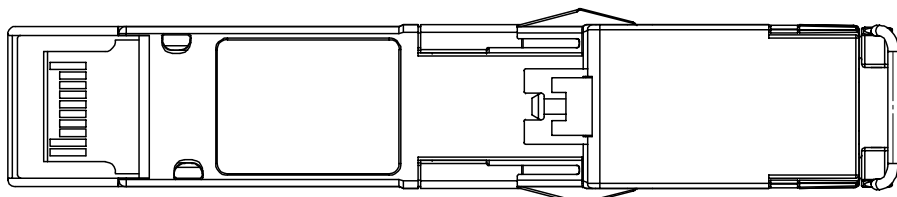
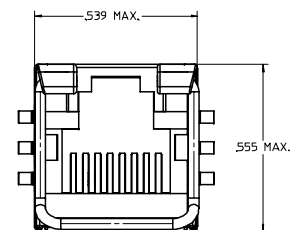
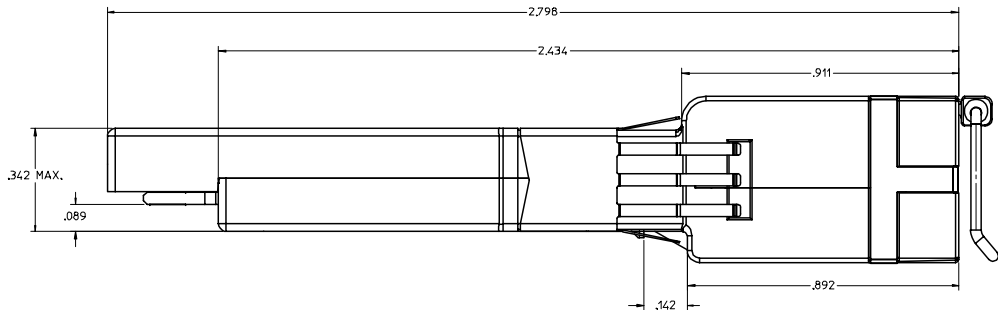
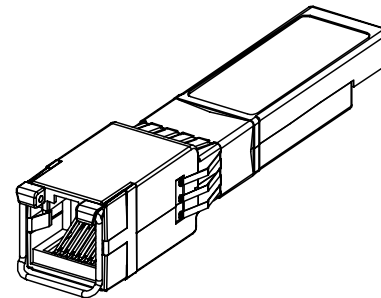
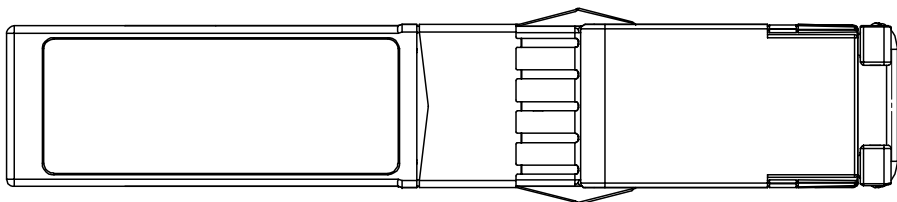


20 | 19 | 18 | 17 | 16 | 15 | 14 | 13 | 12 | 11 | 74741 | 9 | 8 | 7 | 6 | 5 | 4 | 3 | 2 | 1



- FEATURES:**
1. MEETS IEEE 802.3z, u. ab.
  2. MEETS 1000BASE-T STANDARDS.
  3. MATES WITH STANDARD SFP MSA SPECIFICATION COMPONENTS.
  4. MATES WITH COMMON 1X4 AND OTHER GANGED SFP CAGES.
  5. HOT PLUGGABLE.
  6. REQUIRES <1 WATT OF POWER.
  7. SERIAL ID.
  8. SOFTWARE CONFIGURABLE.
  9. 100 METER CAT-5 AT <10 BER.
  10. CENTERED RJ-45 MOD JACK, CONFORMS TO 1U RACK.
  11. .567 INCH SPACE REQUIRED BETWEEN ADJACENT CAGE ON TOP OR BOTTOM.
  12. ROBUST ZINC ALLOY DIE CAST BODY, NICKEL PLATED.
  13. EMI GROUNDING GIRDLE PROVIDES 13 CONTACT POINTS AROUND CAGE OPENING.
  14. BAIL DE-LATCH SYSTEM, USES LIFT AND PULL ACTION TO REMOVE.

747410005	1000BASE-T SFP RJ-45 CENTERED. LOS GND,REV B1 PHY
747410006	1000BASE-T SFP RJ-45 CENTERED. LOS TOGGLE,REV B1 PHY

EC NO: USY2006-0424 DRW:SNAAVARRO2006/05/11 CHKD:BRUSSELL 2006/05/11 APPR:BRUSSELL 2006/05/12	QUALITY SYMBOLS	GENERAL TOLERANCES (UNLESS SPECIFIED)	SCALE 5:1	DESIGN UNITS INCH	THIRD ANGLE PROJECTION	REVISE ON CAD ONLY
	▽.0	4 PLACES ±.000 ±.000	mm INCH	INCH ONLY	TITLE	1000 BASE-T SFP ADAPTER SALES DRAWING
	▽.0	3 PLACES ±.000 ±.000		DRAWN BY KLLLOYD	DATE 2006/05/11	MOLEX INCORPORATED SEE CHART SD-74741-005
		2 PLACES ±.000 ±.000		CHECKED BY BRUSSELL	DATE 2006/05/11	
	1 PLACE ±.000 ±.000	ANGULAR ± 2 °		APPROVED BY BRUSSELL	DATE 2005/05/11	MATERIAL NO. SEE CHART DOCUMENT NO. SD-74741-005 SHEET NO. 1 OF 1
		DRAFT WHERE APPLICABLE MUST REMAIN WITHIN DIMENSIONS				THIS DRAWING CONTAINS INFORMATION THAT IS PROPRIETARY TO MOLEX INCORPORATED AND SHOULD NOT BE USED WITHOUT WRITTEN PERMISSION

19 | 18 | 17 | 16 | 15 | 14 | 13 | 12 | 11 | 10 | 9 | 8 | 7 | 6 | 5 | 4 | 3 | 2 | 1